

**Automatic break-out system**

**record 16 TOS**



**The adaptable door !**



**record**

always safe, always reliable

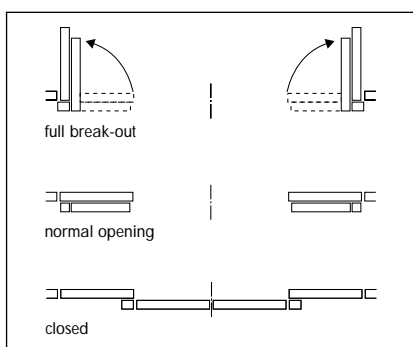




## Automatic break-out system record 16 TOS

- for use on escape and rescue routes
- for adapting pedestrian entrances into wide load access and egress

With this system it is possible to swivel the sliding door leaves and side screens through 90 degrees from any position of opening.



There is a special floor guide designed for silent operation mounted in the side screen area which can be recessed into the floor, this leaves an unobstructed clear opening area for pedestrian traffic. If special locking is required (locking rail, floor lock) a continuous floor rail can be mounted across the full passage width.

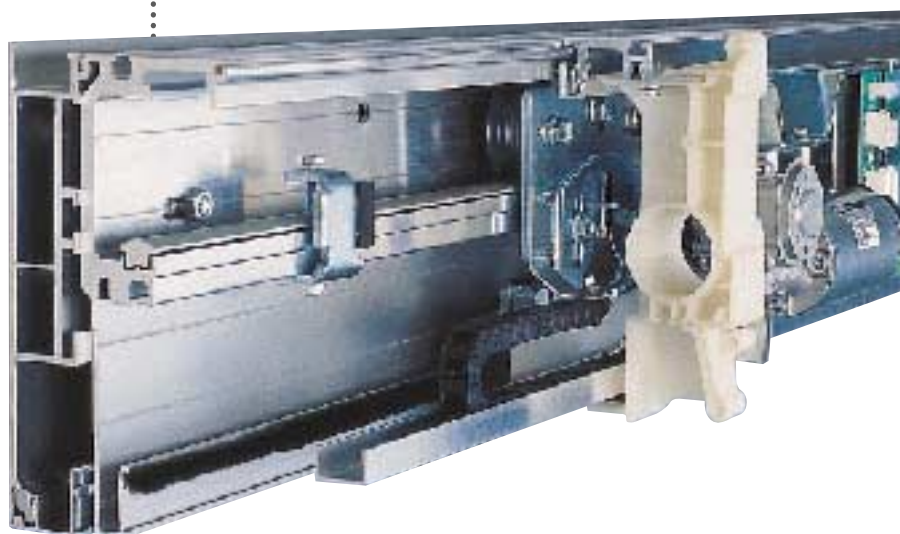
We recommend the break-out system **record 16 TOS** for doors on escape and rescue routes or where bulky objects or vehicles need wider entrances e.g. shopping centres, hospitals, hotels/restaurants, car showrooms, airports and railway stations.

When **record 16 TOS** is used in escape and rescue routes the surveillance device (FEM) monitors both sliding leaves and side screens, in case of misalignment an alarm signal is displayed on the electronic control or transmitted to a central control station. This guarantees a high degree of security.

The break-out system **record 16 TOS** is part of the modular record system 16. It consists of the basic operator **record 16 STA** and the additional **record 16 TOS** module.



**always safe**





## Technical data

### Clear opening width A

biparting sliding door	800 - 2500 mm
single sliding door	800 - 1200 mm

### Clear height of passage G

recommended maximum height	2500 mm
----------------------------	---------

### Maximum weight of door leaves

#### for record 16 TOS

biparting sliding door	2 x 120 kg
single sliding door	1 x 200 kg

#### for record 16 TOS DUO (heavy door leaves)

biparting sliding door	2 x 200 kg
single sliding door	1 x 200 kg

### Operator dimensions, incl. casing

height	200 mm
depth	160 mm

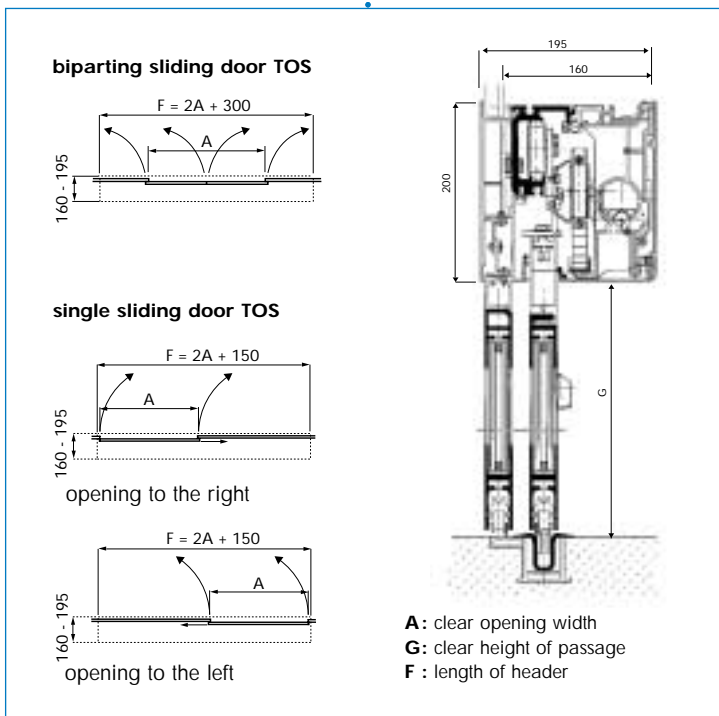
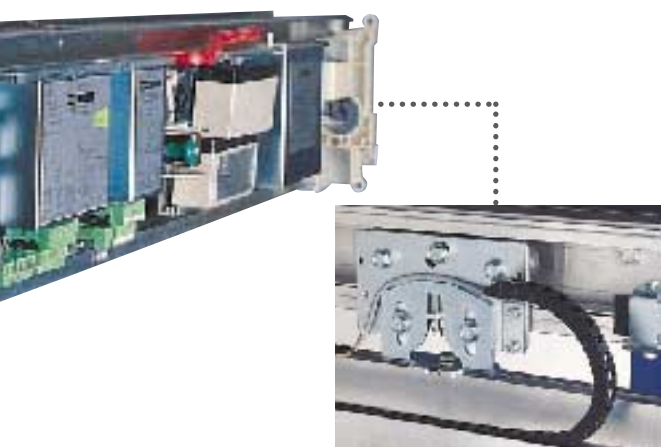
### Opening speed, programable (1)

biparting sliding door	0.7 m in 1.0 sec.
single sliding door	0.7 m in 1.5 sec.

### Electrical connection data

mains voltage	230 V, 50 / 60 Hz
rated power	0,6 A
rated capacity	100 W
rated capacity standby mode	14 W
fuse protection	min. 2,5 A slow-blow

(1) if door leaf weight equals 75 % of permissible maximum weight



always reliable





## record system 16



# Automatic door technology as you've never seen it before !

### ● Austria

record Türautomation  
Helmut Heinz Bunzl Ges.m.b.H.  
Zwingenstrasse  
A-2380 Perchtoldsdorf  
**Tel. + 43 1 865 88 75**  
Fax + 43 1 865 88 75 14

### ● France

record portes automatiques SA  
ZAC-6 Rue de l'Orme Saint Germain  
F-91165 Champlan Cedex  
**Tel. + 33 1 69 79 31 10**  
Fax + 33 1 69 79 31 29  
e-mail: record.portes.auto@wanadoo.fr

### ● Germany

record Türautomation GmbH  
Dieselstrasse 70  
D-42389 Wuppertal  
**Tel. + 49 202 60 90 10**  
Fax + 49 202 60 90 111  
e-mail: record@wtal.de

### ● Great Britain

record automatic doors (UK) limited  
Unit 4 D, Albany Park Industrial Estate  
Frimley Road, Camberley  
GB-Surrey GU 15 2 PL  
**Tel. + 44 1276 692 999**  
Fax + 44 1276 692 747  
e-mail: sales@record-uk.co.uk

### ● Netherlands

Automatische deuren record B.V.  
Cardanuslaan 30  
NL-6865 HK Doorwerth  
**Tel. + 31 26 33 99 777**  
Fax + 31 26 33 99 770  
e-mail: adr@multiweb.nl

### ● Scandinavia

record BMT A/S  
Hovedstensvej 33  
DK-2650 Hvidovre  
**Tel. + 45 36 78 23 00**  
Fax + 45 36 77 16 28  
e-mail: salg@recordbmt.dk

### ● Spain

record puertas automaticas S.A.  
C/Camino de Homiguerras, 175  
E-28031 - Madrid  
**Tel. + 34 91 380 75 50**  
Fax + 34 91 777 32 29  
e-mail: paulo.gomes@record.ch

### ● Switzerland

record AG für Türautomation  
Allmendstrasse 24  
CH-8320 Fehraltorf  
**Tel. + 41 1 954 91 91**  
Fax + 41 1 954 92 00  
e-mail: gch@record.ch  
**Export**  
e-mail: exp@record.ch

### ● www.record.ch



### ● Headquarters

aglatec ag  
Allmendstrasse 24  
CH-8320 Fehraltorf  
**Tel. + 41 1 954 91 91**  
Fax + 41 1 954 92 00  
e-mail: aglatec@record.ch

