

## record system 16



# Automatic door technology as you've never seen it before!

### ● Austria

record Türautomation  
Helmut Heinz Bunzl Ges.m.b.H.  
Zwingenstrasse  
A-2380 Perchtoldsdorf  
**Tel. + 43 1 865 88 75**  
Fax + 43 1 865 88 75 14

### ● France

record portes automatiques SA  
ZAC-6 Rue de l'Orme Saint Germain  
F-91165 Champlan Cedex  
**Tel. + 33 1 69 79 31 10**  
Fax + 33 1 69 79 31 29  
e-mail: record.portes.auto@wanadoo.fr

### ● Germany

record Türautomation GmbH  
Dieselstrasse 70  
D-42389 Wuppertal  
**Tel. + 49 202 60 90 10**  
Fax + 49 202 60 90 111  
e-mail: record@wtal.de

### ● Great Britain

record automatic doors (UK) limited  
Unit 4 D, Albany Park Industrial Estate  
Frimley Road, Camberley  
GB-Surrey GU 15 2 PL  
**Tel. + 44 1276 692 999**  
Fax + 44 1276 692 747  
e-mail: sales@record-uk.co.uk

### ● Netherlands

Automatische deuren record B.V.  
Cardanuslaan 30  
NL-6865 HK Doorwerth  
**Tel. + 31 26 33 99 777**  
Fax + 31 26 33 99 770  
e-mail: adr@multiweb.nl

### ● Scandinavia

record BMT A/S  
Hovedstensvej 33  
DK-2650 Hvidovre  
**Tel. + 45 36 78 23 00**  
Fax + 45 36 77 16 28  
e-mail: salg@recordbmt.dk

### ● Spain

record puertas automaticas S.A.  
C/Camino de Homiguerras, 175  
E-28031 - Madrid  
**Tel. + 34 91 380 75 50**  
Fax + 34 91 777 32 29  
e-mail: paulo.gomes@record.ch

### ● Switzerland

record AG für Türautomation  
Allmendstrasse 24  
CH-8320 Fehraltorf  
**Tel. + 41 1 954 91 91**  
Fax + 41 1 954 92 00  
e-mail: gch@record.ch  
**Export**  
e-mail: exp@record.ch

● [www.record.ch](http://www.record.ch)



### ● Headquarters

aglatec ag  
Allmendstrasse 24  
CH-8320 Fehraltorf  
**Tel. + 41 1 954 91 91**  
Fax + 41 1 954 92 00  
e-mail: agtatec@record.ch



# record

always safe, always reliable



**Curved sliding door**

**record 16 RST**



**Made-to-measure elegance !**



**record**

always safe, always reliable



## record 16 RST beautiful from any angle !

Featuring record's system 16 modern electronics, the 16 RST curved sliding door lends any entrance or façade class and elegance.

Our curved sliding door's modular profile system uses standardised components, allowing the installation of the following:

- curved or plan doors
- semi-circular doors
- Ellipse or circular-shaped doors to eliminate drafts
- Doors curving in or outwards

The radius of the circular elements is determined on-site.

A wide variety of options are available allowing individual solutions where a door is needed.

All profiles are available in a variety of colours, also powder coated, or anodised.



**Always safe**



locking device





## Technical Data

### Clear opening width A

biparting sliding door	800 - 3 000 mm
single sliding door	800 - 3 000 mm

### Clear height of passage G

recommended maximum height	3 000 mm
----------------------------	----------

### Maximum weight of door leaves

biparting sliding door	2 x 100 kg
single sliding door	1 x 200 kg

### For record 16 DUO (heavy-duty leaves)

biparting sliding door	2 x 200 kg
single sliding door	1 x 250 kg

### Operator dimensions, incl. casing

height	220 mm
depth	300 mm

### Door movements(1)

biparting sliding door	0.7 m in 1.0 sec.
single sliding door	0.7 m in 1.5 sec.

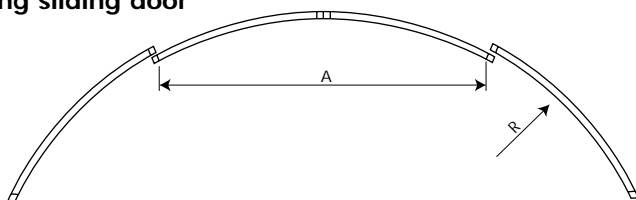
### Electrical connection data

mains voltage	230 V, 50 / 60 Hz
rated power	0,6 A
rated capacity	100 W
rated capacity standby power	14 W
fuse protection	min 2.5A slow-blow

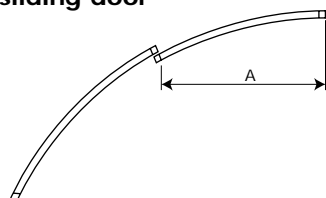
(1) if door leaf weight equals 75% of permissible max. weight

### Curved sliding door record 16 RST

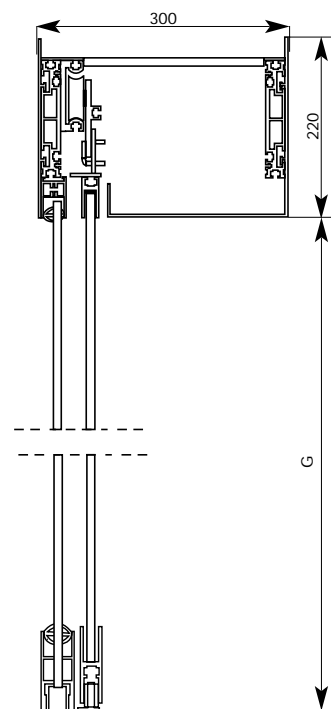
#### Biparting sliding door



#### Single sliding door



**A** : clear opening width  
**G** : clear height of passage  
**R** : angle



always reliable

